



Brix Lab
A Division of Brix Group, Inc.
541 Division St.
Campbell, CA 95008
866-787-1810
www.brixcom.com

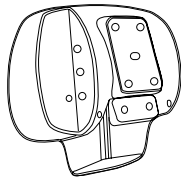


Vehicle Docking Kit Installation Guide SIR-STRVK1 & SIR-STRVK2

Box Contents

After you unpack your SIR-STRVK1 or SIR-STRVK2, make sure everything here is included:

1 x Vehicle Dock



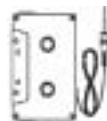
1 x Cigarette Power Adaptor



1 x Audio Cable



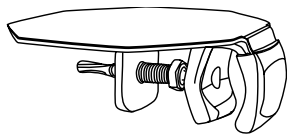
1 x Cassette Adaptor
(only in SIR-STRVK2)



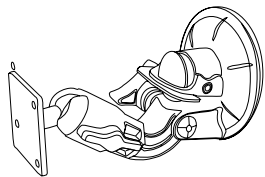
1 x Antenna



1 x Antenna Mounting
Plate (only in SIR-STRVK1)



1 x Suction Cup Mount
(only in SIR-STRVK1)



1 x Base Mount
(only in SIR-STRVK2)



For the latest information about this and other Streamer products, visit the Brix Web site at: www.brixcom.com. If anything is missing or damaged, or if your SIR-STRVK1 or SIR-STRVK2 fails to operate, notify your shipper immediately. Streamer recommends that you keep the original packaging in case you need to ship your SIR-STRVK1 or SIR-STRVK2 in the future.

Safety Precautions

Warning

Take the following precautions to prevent traffic accidents and avoid personal injury:

- Installation must be performed according to this installation manual. Streamer is not responsible for issues arising from installations not performed according to the procedures in this manual.
- Do not install the unit where it may obstruct your view through the windshield or of your vehicle's indicator displays.
- Do not install the unit where it may hinder the function of safety devices such as an airbag. Doing so may prevent the airbag from functioning properly in the event of an accident.
- The installation and use suggestions contained in this manual are subject to any restrictions or limitations that may be imposed by applicable law—the purchaser should check applicable law for any restrictions or limitations before installing and/or operating this unit.

- Failure to follow these safety instructions and warnings may result in a serious accident.

Caution

Take the following precautions to keep the unit in proper working order:

- Be sure the unit is connected to a 12V DC power supply with a negative ground connection.
- Do not install the unit where it will be exposed to high levels of humidity, moisture, or dust.
- When replacing a fuse, use only a new one with the proper rating. Using a fuse with the wrong rating may cause the unit to malfunction.
- To prevent a short circuit when replacing a fuse, first unplug the cigarette lighter adaptor from the cigarette lighter.
- When drilling holes to mount the unit, make sure not to damage wiring or other systems on the other side.

Vehicle Docking Kit Installation Guide for SIR-STRVK1 or SIR-STRVK2 Kit (sold separately)

Note: Do not put Streamer in the docking station until you have completed the installation.

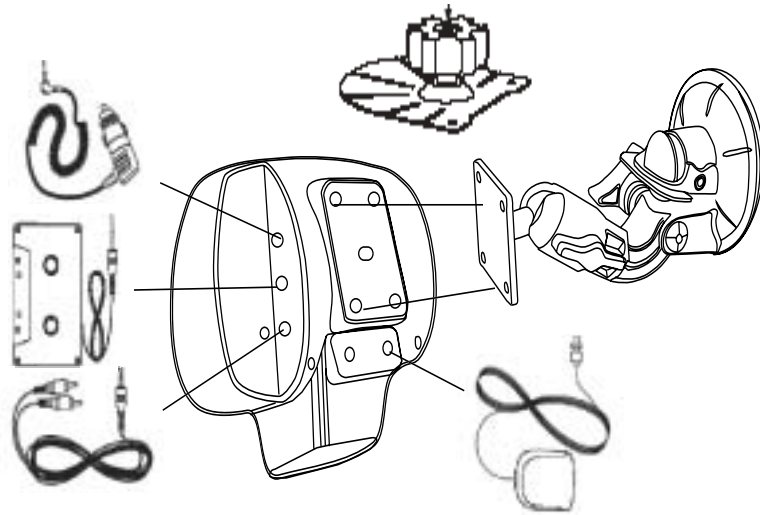
SIR-STRVK1 Contents:

- Installation Guide.
- Vehicle docking cradle with wireless FM transmitter.
- Suction Cup Mount.
- Heavy-duty antenna mount (not shown).
- Cigarette lighter power supply.
- Magnetic roof-mount SIRIUS antenna.

SIR-STRVK2 Contents:

- Installation Guide.
- Vehicle docking cradle.
- Base mount.
- Cassette adapter.
- Cigarette lighter power supply.
- Audio cable.
- Magnetic roof-mount SIRIUS antenna.

Note: The SIR-STRVK1 Kit doesn't come with the shown cassette adapter because it has a wireless FM Transmitter.



SIR-STRVK1 & SIR-STRVK2 Installation Guide

Installation in a Vehicle (continued)

1. Determine where you want to mount Streamer.
 - Do not install Streamer where it may obstruct your view through the windshield or your view of your vehicle's indicator displays.
 - Do not install Streamer where it will hinder your access to the vehicle's controls.
 - Do not install Streamer where it may hinder the function of safety devices such as an airbag. Doing so may prevent the air-bag from functioning properly in the event of an accident.
 - Find a location that provides good visibility of and access to Streamer's front panel.
 - The Brix Group strongly recommends that you mount

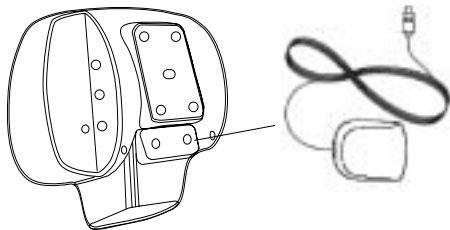
2. You can bend the leaves on the base to conform to curved mounting surfaces.
3. Peel the covering away from the adhesive on the bottom of the base and adhere it to the mounting surface. Use the provided screws to securely attach the base to the surface.
 - If using screws, be sure that you do not damage wiring or other systems on the other side of the mounting surface.
4. Using the provided screws, assemble the docking station

5. Plug the cigarette lighter adapter into the back of the cradle. Don't plug the adapter into the cigarette lighter until the installation is completed.
- 6A. Plug the cassette adapter into the back of the cradle (SIRSTRVK2 kit only). For the SIR-STRVK1 kit, tune your radio to one of four FM stations on the side of the vehicle dock
- 6B. If your car stereo has an aux input, plug the supplied audio cable into the back of the cradle instead of the cassette adapter. Plug the audio cable's white (L ch.) and red (R ch.) connectors into your car stereo.

SIR-STRVK1 & SIR-STRVK2 Installation Guide

Installation in a Vehicle: Mounting the Antenna

1. Temporarily plug the antenna into the “1-Sat/Terr (Main)” connector on the back of the cradle until it is firmly seated.



2. Find an antenna location on a metal surface of your vehicle at least 12" x 12", and at least 6" from a window. If you use the included antenna mount (SIR-STRVK1 only), install the mount on the upper portion of your side-view mirror bracket.

- Best reception is achieved with the antenna mounted on the roof or trunk for convertibles.
 - If the vehicle has a roof rack or skid ribs, it may be necessary to mount the antenna off-center.
3. The antenna’s powerful magnet will secure it to the metal surface. Before routing the antenna cable, confirm that the antenna is mounted in a good location:
4. Temporarily plug the cigarette lighter adapter into the cigarette lighter.
5. Slide Streamer all the way into the cradle so that the connector at the bottom of the unit makes proper contact in the cradle. Press and hold the POWER button to turn Streamer on.
6. If your Streamer has been properly connected and the antenna is receiving the SIRIUS signal you will hear audio. If you do not hear audio, the display will read “Antenna Error”. Reorient the antenna until you hear audio. (See Antenna Signal, on page 27 to use the ANTENNA SIGNAL screen to aim the antenna.)
- Make sure the vehicle is not in garage, or somewhere the satellite signal could be blocked.

Installation in a Vehicle: Running the Antenna Cable

1. Turn Streamer’s power off and remove it from the cradle; unplug the cigarette lighter adapter from the cigarette lighter; unplug the antenna from the cradle.

2. Route the cable from the antenna to the vehicle’s interior by tucking it underneath the rubber molding around rear window, as shown below.



3. Route the cable from the lowest point of the rear window into the trunk. Take advantage of any existing cable channels or wiring conduits.

- For SUVs, minivans & 5-door vehicles, bring the cable into the vehicle under the rubber molding for the tailgate, and continue under the interior trim.

4. From the trunk, route the cable around the passenger compartment and to the back of the cradle.
- Do not pull the wire across sharp edges that could damage it.
 - Keep the wire away from areas where it could become tangled in driver’s and passenger’s feet.

5. Plug the antenna into the back of cradle where it says “ANT”.

6. Plug the cigarette lighter adapter into the cigarette lighter. **THE BRIX GROUP RECOMMENDS UNPLUGGING THE CIGARETTE LIGHTER ADAPTER AFTER YOU TURN THE VEHICLE’S IGNITION OFF.**